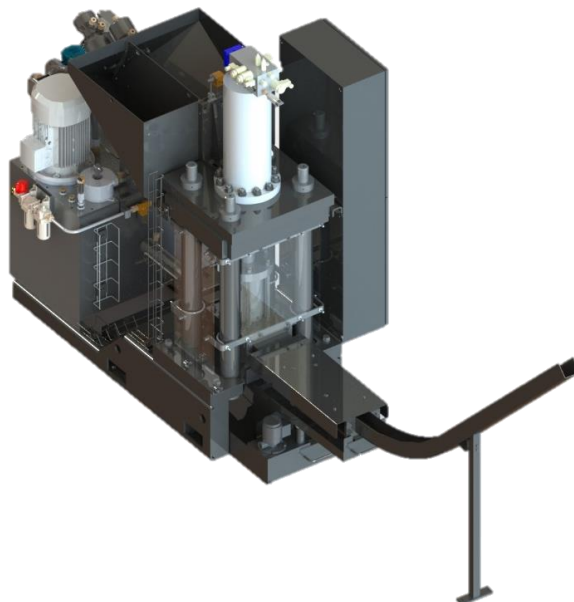


Chip compactor

Premium range

➤ Advantages:

- ✓ Space saving
- ✓ Robust and simple construction
- ✓ Very high-pressure of briquetting
- ✓ Feed screw with hydraulic drive
- ✓ Treated tooling
- ✓ Simple maintenance
- ✓ Recovery of cutting oils
- ✓ Rapid return on investment
- ✓ Lifetime warranty of the structure
- ✓ Siemens automation



➤ Specifications:

		PM1		PM2		PM2H	PM3		PM3H		PMT
		20T	25T	60T	80T	60T	150T	200T	150T	200T	250T
Size of briquettes (mm)		Ø40		Ø70		Ø70	Ø90		Ø120		Ø70
Capacity max (Kg/h)	Steel	50		175		300	700		1200		
	Aluminum	20		70		110	280		500 à 750		
	sludges	≤20		≤70			≤180				
	Titanium			70			280				110
Effort of briquetting (Kg/cm ²)		1592	1990	1559	2079	2079	2359	3144	1326	1768	6496
Engine power (KW)		4	5,5	7,5	11,5	11	37,5	41	41		41
Briquetting pressure (bar)		250	310	300	400	300	300	400	300	400	400
Hydraulic tank volume (l)		100	100	200	200	300	1000		1000		1000
Machine dimension (mm)		3600 x 900 x 1600		4000 x 1000 x 1900		4000 x 1000 x 2750	4100 x 2500 x 3100		4100 x 2500 x 3650		4100 x 2550 x 3300
Machine weight (Kg)		950		1650		1900	5100		5350		5800
Charge of client		Electrical and pneumatic connection + hydraulic oil									

The size of the briquettes and the capacity of the machine depend of the form, the humidity and the density of the chips.



➤ **Operation:**

In presence of material, the compactor start his feed screw up to fill the sleeve liner. Once it's fill, the cylinder of briquetting is drive. When the briquetting is end, the slide move back and the briquettes are evacuated. For finish, it feed one by one on the runner up to fall in a BigBag or in a skip.

➤ **Equipment:**

○ In option ● Original	PM1	PM2	PM2H	PM3	PM3H	PMT
Position of the mixer	○	○	○	○	○	○
Very high pressure (THP)		○		○	○	●
Great speed (SV)	○	○		○	○	
Level sensor of hopper	●	●	●	●	●	●
Visual alarm	○	○	○	○	○	○
On board electrical cabinet	○	○	○			
Automaton with touch screen	●	●	●	●	●	●
Pump and tub of lifting	●	●	●	●	●	●
Cooler	●	●	●	●	●	●
Independent hydraulic group	○	○	○	●	●	●
Oil level	●	●	●	●	●	●
Return and air filter	●	●	●	●	●	●

